

AD-4328

Weighing Indicator



Expand Your Potential

AND
A&D WEIGHING
...Clearly a Better Value



AD-4328 *The Best of the*

Weighing Indicator



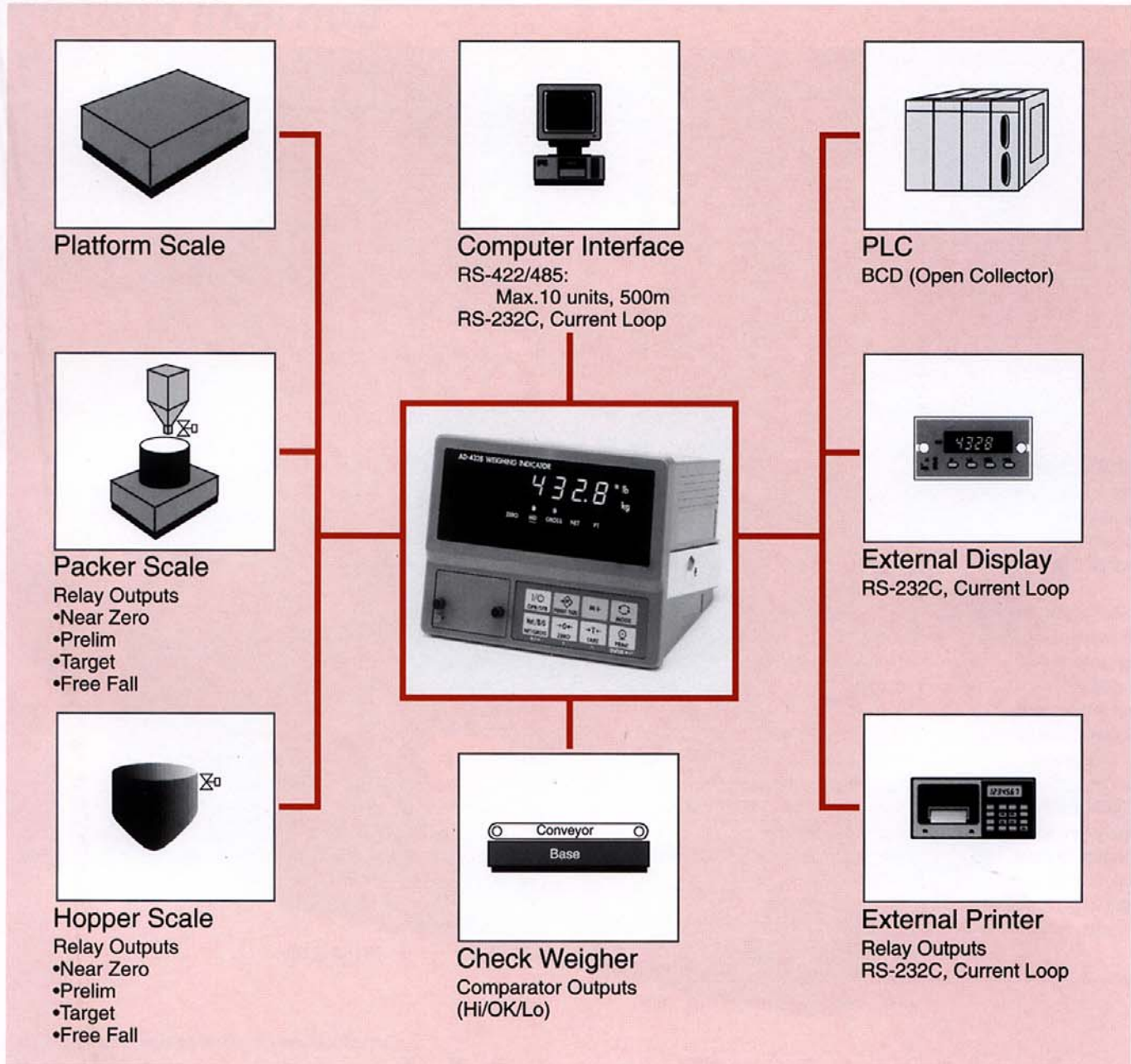
The AD-4328 provides power and flexibility at an affordable price. Performs in a wide range of applications from batching to simple weighing.

It is reliable, accurate and easy to install.

- lb/kg Switching.
- Accumulative data is stored in memory automatically or manually.
- Comparator output to optional relays (Hi/OK/Lo).
- Setpoint comparison for batching applications (Near Zero/Prelim/Target/Free Fall).
- Powered through AC adaptor or external DC (6 to 12V) power supply.
- Standard serial output for printers, external displays, etc.
- Front panel protected to IP-65.
- Powers up to 6 load cells at 350Ω.
- Gravity Compensation Function assures accurate weighing without the need for recalibration after transport.
- Optional bi-directional RS-232C, RS-422, RS-485 interfaces and BCD, relay, current loop outputs.
- Averaging time and width can be selected for various applications.
- Digitally span calibrated by entering a sensor output voltage through the keypad.
- 1/20,000 displayed count resolution.
- Mount on panel, column, stand or desk top.
- Can be controlled by external input.
- Enter predetermined tare weight from keypad.
- RFI/EMI protected.
- Meets or exceeds OIML Class III specifications (10,000d).
- An uncased version of AD-4328 is available.

Low Cost Indications

Communications

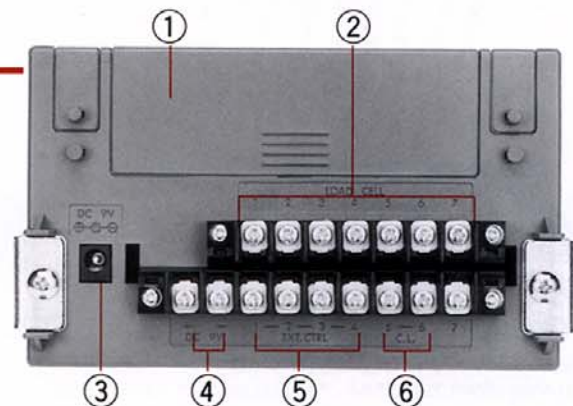


Rear Panel View

- I/O terminals are screw type for easy maintenance.
- AC/DC selectable.
- When connected to both AC & DC, priority is given to AC.
- Remote operation of front keys.

Terminal Locations

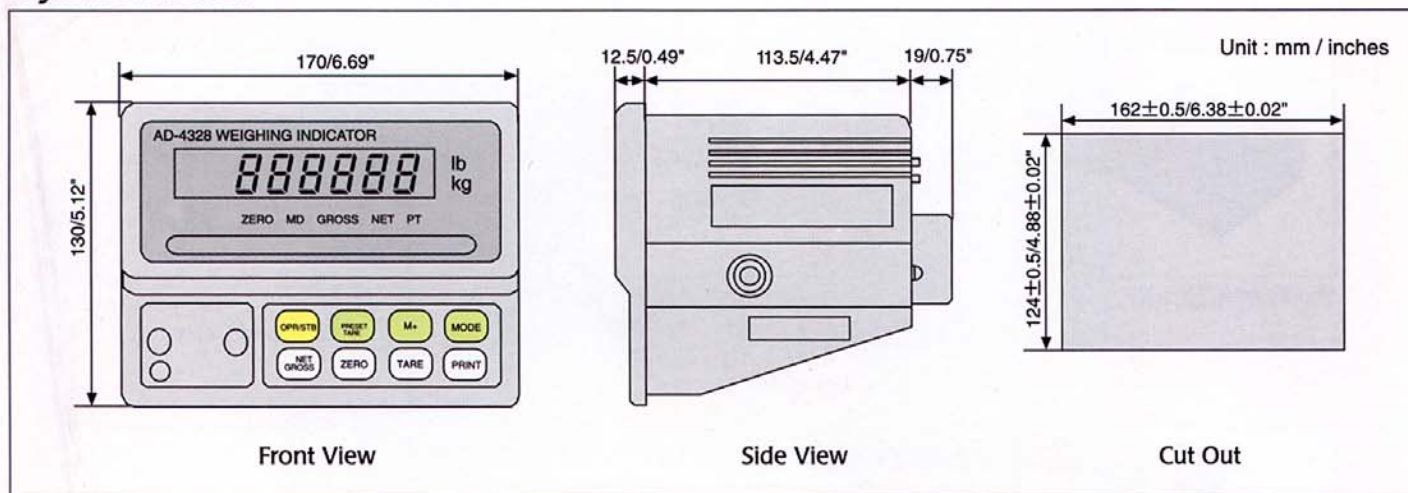
- | | |
|----------------------------------|---|
| ① Option installation | ④ DC input terminals |
| ② Load cell connection terminals | ⑤ External front panel switch control terminals |
| ③ AC adaptor connector | ⑥ Standard serial output |



AD-4328

Weighing Indicator

Physical Dimensions



Specifications

Input Sensitivity	0.2 μ V/d (Min.)
Input Signal Range	-1mV ~ +15mV
Loadcell Excitation	5V DC \pm 5%
Loadcell Drive Capacity	Up to 6 load cells at 350 Ω /load cell (Max.90mA)
Zero Temperature Coefficient	\pm (0.2 μ V+0.0008% of dead load)/ $^{\circ}$ C (typ.)
Span Temperature Coefficient	\pm 8ppm / $^{\circ}$ C of reading (typ.)
Non-Linearity	0.01% of full scale
Input Noise	\pm 0.2 μ Vp-p
Input Impedance	10M Ω \pm or more
A/D Conversion Method	Integrating dual-slope type
A/D Resolution	40,000 counts (Max.)
A/D Conversion Rate	Approximately. 10 times/second
Weight Display	6digits, 14.2mm / 0.56" (H) LED
Display Resolution	20,000 counts (Max.)
Minimum Division	Times \times 1, \times 2, \times 5, \times 10, \times 20, \times 50
Maximum Display	500000
Under ZERO Indication	'-' minus display
Annuciation	ZERO, MD, GROSS, NET, PRESET TARE, kg/t or kg/lb
Keys	STANDBY/OPERATE, NET/GROSS, PRESET TARE, ZERO, M+, TARE, MODE, PRINT

Power	DC 9V (AC Adaptor or direct input to the terminal)
Net Weight	Approximately 0.8 kg /1.8 lb
Operating Temperature	-10 $^{\circ}$ C ~ 40 $^{\circ}$ C (14 $^{\circ}$ F ~ 104 $^{\circ}$ F)
Storage Temperature	-10 $^{\circ}$ C ~ 70 $^{\circ}$ C (14 $^{\circ}$ F ~ 158 $^{\circ}$ F)
Physical Dimensions	170(W) \times 126 +19* (D) \times 130(H) mm *incl. terminal cover
Panel Cut out Dimensions	124 \pm 0.5 \times 162 \pm 0.5 mm
Standard Accessories	Manual, AC Adaptor

Options

OP-01	BCD Output (Open Collector)
OP-02	Comparator Output (Open Collector)
OP-03	RS-422/485 with Relay Output
OP-04	RS-232C/Current Loop/Relay Output
OP-10	Display Stand

Only one output can be selected from OP-01, OP-02, OP-03 and OP-04.
One to be chosen from RS-422 or 485.

Accessories

AC Adaptor	TB164 (220V)
------------	--------------

Specifications subject to change for improvement without notice.

AND
A&D WEIGHING
...Clearly a Better Value

1555 McCandless Drive, Milpitas, CA. 95035
Toll-free (800) 726-3364 Tel:(408)263-5333 Fax:(408)263-0119 <http://www.and1.com>

*ADE-AD4328-961210-01KO1